

# KMS-13 MEAT SLICER

# PRO-CUT<sup>®</sup>

## SPEC SHEET

[www.pro-cut.us](http://www.pro-cut.us)

## STANDARD FEATURES

- Powerful 1/3 HP motor for slicing semi frozen, boneless meat, cold cuts and a variety of cheeses
- Long lasting 13" German stainless steel blade
- Features a built in sharpener
- Food grade quality aluminum body
- Robust gear driven transmission
- Stainless steel affixed safety ring guard
- True 45 degree angle gravity feed
- Includes product pusher
- Max 1.5" thick cut
- 380 RPM
- 11" X 16" Product tray
- Adjustable slice size



## PRODUCT HIGHLIGHTS



**Stainless steel blade**



**Powerful 1/3 HP motor**



**Built in Sharpener**



**Affixed safety ring guard**



**True 45 degree angle gravity feed**



**Product pusher**



**1 year parts and labor**

# KMS-13 MEAT SLICER

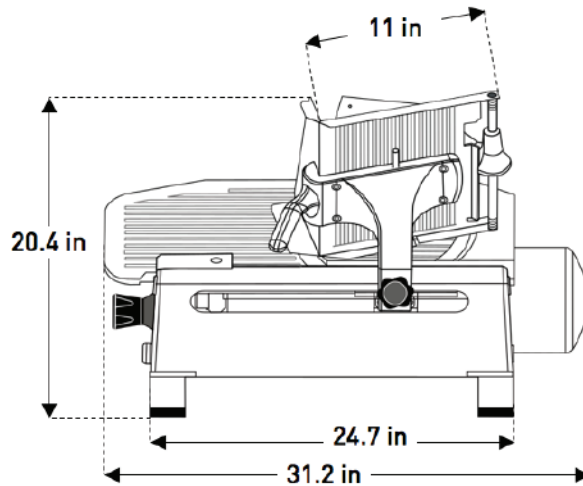
# PRO-CUT<sup>®</sup>

## SPEC SHEET

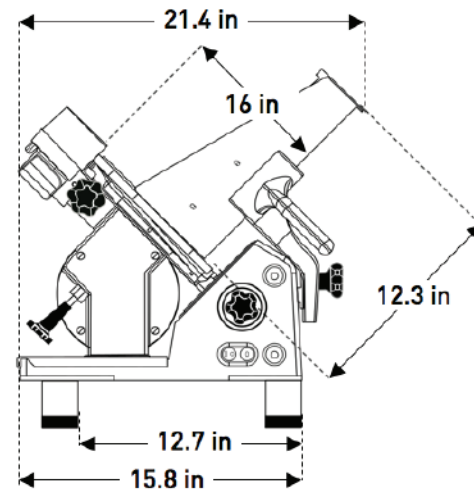
[www.pro-cut.us](http://www.pro-cut.us)

## PLAN VIEW

Front view



Side view



NEMA 5-15P

## TECHNICAL DATA

### Dimensions

External dimensions	L: 21.4" W: 31.2" H: 20.4"
Net weight	92.59 lb (42 kg)
Power cord length	5.9 ft

### Construction

Blade / Gage plate	Stainless steel
Tray / Knife guard	Stainless steel
Body	Aluminum

### Logistic

Max number of SKU per pallet	3
Shipping dimensions	L: 38.5" W: 32" H: 30.5"
Shipping weight	161 lb
Shipping dimensions full pallet	L: 38.5" W: 32" H: 30.5"
Shipping weight full pallet	523 lb
Freight class	85

L: Length W: Width H: Height

### Electrical

Motor	1/3 HP
Volts / Frequency	115 Vac / 60 Hz
Amps	5.3
Watts	250
Phase	1 ph
Type of plug (NEMA)	5-15P

### Performance data

Transmission	Gear
Blade diameter	12.99" (300 mm)
Speed blade	380-400 RPM
Cut width	0-1.5" (0-3.8 cm)
Max. sliding table travel	13.75" (35 cm)

### Dealers information
