

# Refrigerated 56" Display Case

**MODEL: DDC60**

**PRO-KOLD**

## Product features

- Sliding glass, rear doors for effortless loading and unloading
- Double pane, curved, front glass which reduces heat transfer and promotes product conservation
- Fully adjustable stainless steel shelves
- Stainless steel floor
- Temperature range from 36° to 41° F
- Heavy duty 3" casters (included) for easy mobility and to facilitate cleaning
- LED lighting for enhanced product display
- Easy-lift front covers for access to condensing unit and easy cleaning
- Electronic temperature controller
- Gravity controlled cooling system
- 1/3 HP compressor
- R134a refrigerant that reduces and optimizes energy consumption



## Available Product Finishes

BLACK

WHITE

STAINLESS  
STEEL

## Accessories

- Bottom, pre-painted grill to cover stainless floor for additional display

## Product highlights



LED Lighting



Electronic Digital Controller



Easy Access to Compressor

## Certifications



## Warranty

- 2 Year parts and labor
- Additional 3 year compressor coverage

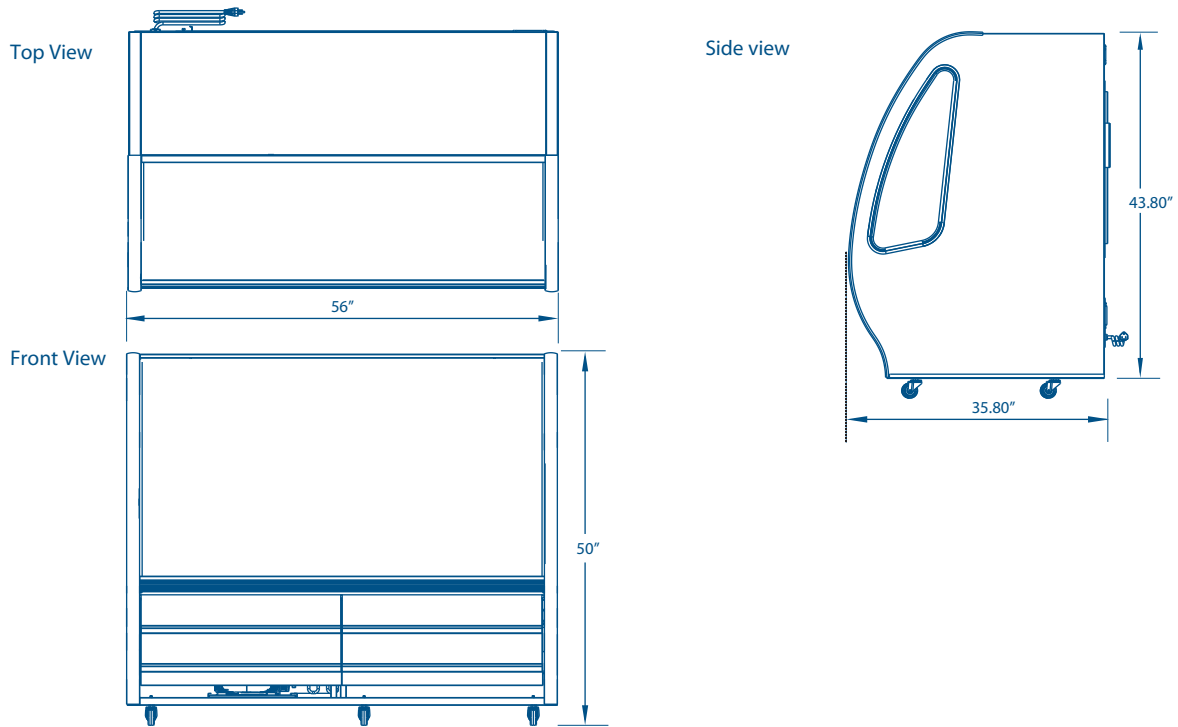
Residential: Assumes on liability for parts or labor coverage for component failure, factory defect or any other damages for units installed in non-commercial foodservice or residential applications.

# PRODUCT SPECIFICATIONS

## MODEL: DDC60



### Plan view



### Technical data

#### Dimensions

External dimensions	W: 56" D: 35.80" H: 50"
Internal dimensions	W: 53" D: 28.75" H: 27"
Net volume	21 ft3 (595 Lts.)
Net weight	425 Lbs.
Gross weight	440 Lbs.
Packaging dimensions	W: 59" D: 40" H: 52"
Upper shelf dimensions	W: 24" D: 16.13" H: 3.56"
Lower shelf dimensions	W: 24" D: 17.19" H: 3.56"

#### Performance data

Refrigerant charge	10.93 oz
Energy consumption	7.99 kwh/h
Condenser forced	Ventilation Forced
Evaporator	Natural convection
Evaporation temperature	10°F
Expansion method	Capilar
Thawing method	By time

#### Construction

Exterior material	Pre-painted sheet metal
Interior material	Pre-painted sheet metal
Number of shelf storage	4 (2 rows, 2 shelves per row)
Shelf material	Steel
Door type	Sliding glass door
Door quantity	2

\* W= Width, D= Depth, H= Height

#### Electrical data

Power supply	110v/ 60 Hz
Amps	5.8 A
Length of cord	118" (3000 mm)
Lighting	LED
Plug type	NEMA-5-15P
Controller	Digital
Compressor power	1/3 HP

#### Cooling

Temperature range	36° to 41° F (Exhibition)
Refrigerant	R134a
Defrosting	Electric
Temperature controller	Digital
Optimum temperature range	36° to 41° F

#### Logistic data

Trailer Loads	40 fit on a 53' trailer
Unit weight with packaging	440 lb (200 kg)
Dimensions with packaging	W: 59" D: 40" H: 52"